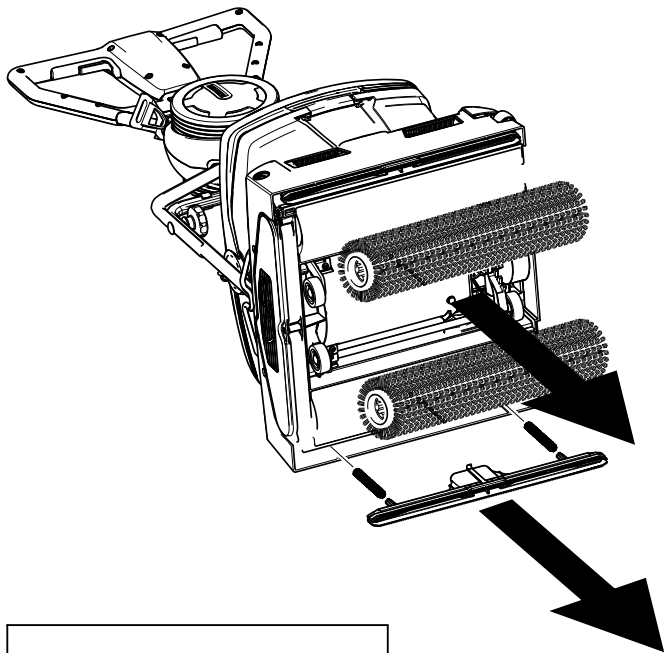
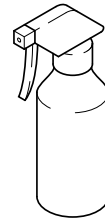


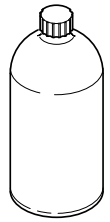
BR 40/10 C



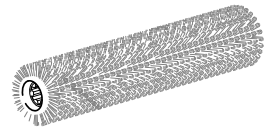
2.783-014.0



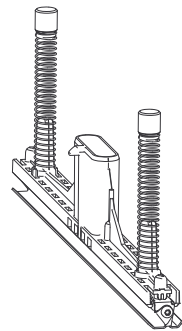
RM 769



RM 764



2x



2x

